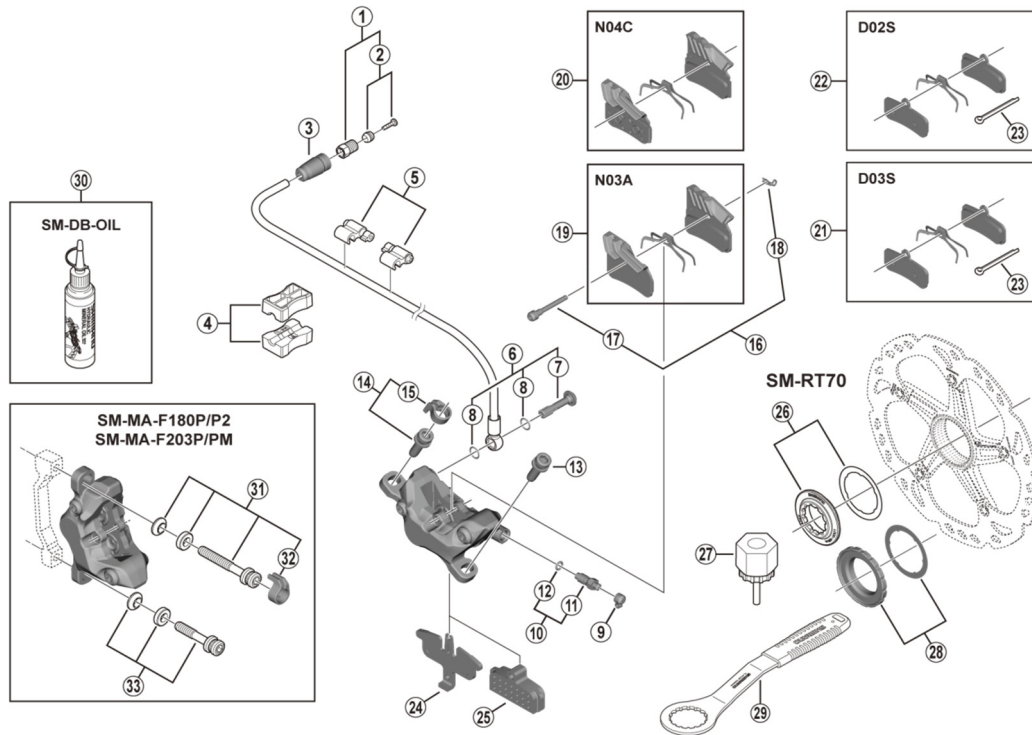


SLX Disc Brake  
**BR-M7120** Brake Caliper  
**SM-RT70** Disc Rotor

**SM-BH90-SBM** Brake Hose



ITEM NO.	SHIMANO CODE NO.	DESCRIPTION
1	Y8JA98010	Flare nut unit
2	Y8JA98020	Olive and connector insert
3	Y1XJ16000	Cover
4	Y8H198030	TL-BH61 Shimano original tool (2 pcs.)
5	Y83098040	SM-HANG Hose supporter A and B
6	Y2RV98010	Banjo screw and O-ring
7	Y2RV06000	Banjo screw
8	Y8SY28000	O-ring
9	Y8B214000	Bleed nipple cap
10	Y8CL98050	Bleed nipple and seal ring
11	Y8CL24200	Bleed nipple
12	Y8B511001	O-ring for bleed nipple
13	Y8C509020	Caliper fixing screw (M6 x 18.7)
14	Y2F398020	Caliper fixing screw (M6 x 18.7) and snap ring
15	Y2RT06000	Snap ring
16	Y8WW98010	Pad axle and snap retainer
17	Y8EB12000	Pad axle
18	Y8J716000	Snap retainer
19	Y1XD98010	N03A Resin pad with fin and spring (pair)
20	Y1XD98020	N04C Metal pad with fin and spring (pair)
21	Y1XM98010	D03S Resin pad and spring with split pin (pair)
*	Y1XM98011	D03S Resin pad and spring with split pin (25 pairs)
22	Y8FF98010	D02S Metal pad and spring with split pin (pair)
23	Y8DB06100	Split pin
24	Y1Y003000	Pad spacer
25	Y8FF19000	Bleeding spacer
26	Y8P898010	Lock ring and washer
27	Y12009230	TL-LR15 Lock ring removal tool
28	Y26L98030	Lock ring and washer (external spline type)
29	Y13098000	TL-FC36 Lock ring removal tool
30	Y83998020	Mineral oil (100 ml)
	Y83998030	Mineral oil (500 ml)
31	Y2RT98020	Caliper fixing screw unit (M6 x 37.9) for SM-MA-F180P/P2
	Y2RT98030	Caliper fixing screw unit (M6 x 40.2) for SM-MA-F203P/PM
32	Y2RT07000	Snap ring
33	Y8G498030	Caliper fixing screw unit (M6 x 32.1) for SM-MA-F180P/P2
	Y8J498020	Caliper fixing screw unit (M6 x 34.4) for SM-MA-F203P/PM

Aug.-2021-4597B

© Shimano Inc. I

Specifications are subject to change without notice.

**SHIMANO**